

# QUICK START GUIDE

## GOGO STX 800



## TURN YOUR HANGAR INTO A GOGO VISION HOTSPOT

The STX 800 is a small, smart box that enables automatic, wireless Gogo Vision IFE content updates in your own hangar. No more manual updates. No more USB drives. Simply install it, park your aircraft, and the STX 800 does the rest.



### AUTOMATIC GOGO VISION UPDATES

The STX 800 turns your hangar into a Gogo Cloud location and automatically, wirelessly updates aircraft with the latest Gogo Vision movies and TV episodes.



### SET IT AND FORGET IT

Simply install the STX 800 in your hangar, connect it to the Internet (via Ethernet cable), and it does the rest. No one on your crew needs to lift a finger.



### IT'S FREE

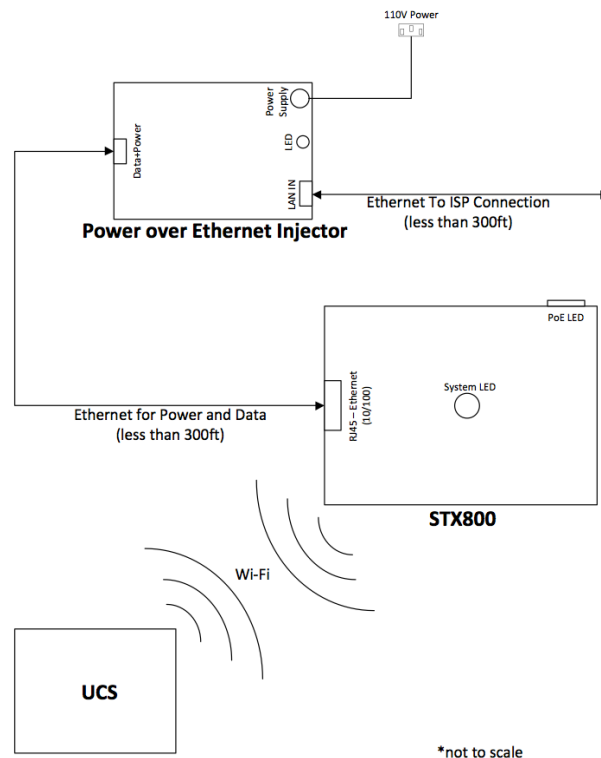
One STX 800 is included with your Gogo Vision system.

### FEATURES

- USB 802.11n 2x2:2 radio
- Powered via Power-over-Ethernet
- 128GB USB 2.0 memory stick for staging content
- Operational temps: 0C to +40C
- Supports content load/transfer for up to two aircraft concurrently
- 120 ft. wireless connectivity range

## INSTALLATION & OPERATION

A typical STX 800 installation requires an STX 800 package, two lengths of Category 6 Ethernet cable, an internet-enabled Ethernet port and an available 110V power outlet. The following diagram highlights the overall intended installation layout for the STX 800 device:



## INSTRUCTIONS

1. First, insert the PoE Injector power supply into an available 110V power outlet inside the hangar.
2. Next, attach one end of a Category 6 Ethernet cable to an open Ethernet port on a router with internet access and attach the other end of the cable to the Ethernet port on the PoE Injector labeled "LAN IN".
3. Using another category 6 ethernet cable, attach one end of the cable to the Ethernet port on the PoE Injector labeled "Power+Data Out" and attach the other end of the cable to the Ethernet port on the STX 800.
4. After two (2) minutes, verify that all status LEDs on the STX 800 are illuminated or blinking.
5. Once the previous steps have been completed, please contact Gogo BA Customer Service to validate that the product is functioning correctly +1 888.286.9876.

## DETAILS / CONSIDERATIONS

- The STX 800 is not certified for outdoor operation/use – please ensure that the device is installed inside a hangar location (operational temperatures for the device are: 0°C to +40°C, non-operational temperatures for the device are: -25°C to +55°C).
- The STX 800 can support content update activities for up to two aircraft at any given time - if additional aircraft are powered on and in the general range of connectivity of the STX800, you may receive a degraded content transfer experience and slower transfer times for files.
- The STX 800 features a connectivity range of to 120 feet in any direction – serving an area of up to 12,500 square feet.
- When installing the STX 800, please ensure that the installation location is free of walls or other large objects that may interfere with the device – other items that might generate radio frequency interference for the device should also be avoided.
- In order for the STX 800 to be able to connect to the Gogo Cloud Service, the Ethernet port providing internet to the device must be able to access the world wide web without being blocked by a firewall or routing rule (if a computer or PED can access a common website through this port, then the STX 800 should work) – for additional details on network access configuration for the device, please refer to the Installation Manual document.

